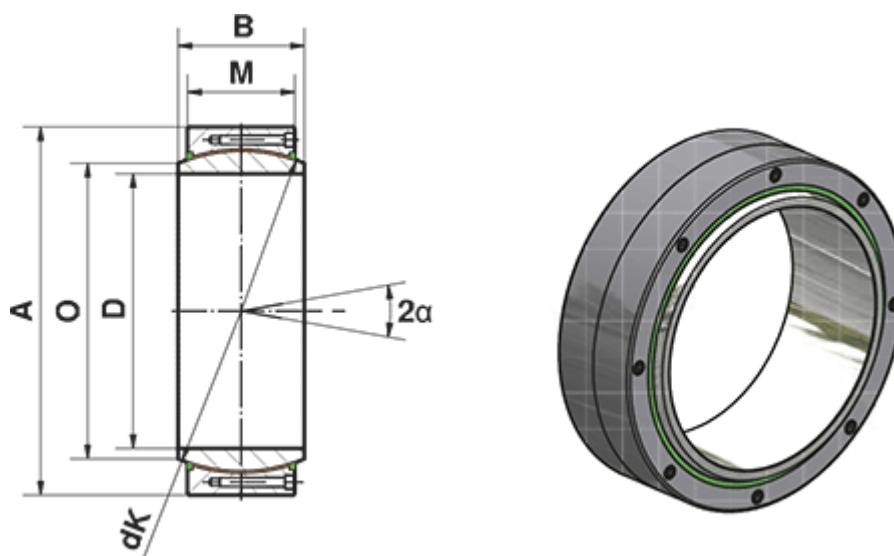


Article number: 03448340

Description: Fluro Heavy Duty Spherical Plain Bearing GE 340 CW-2RS  
Hole  $\varnothing$ 340

Note: 340

## Measures



A	= 460
a (degrees)	= 3.8
B	= 160
D	= 340
dK	= 400
Dynamic load C (kN)	= 13530
M	= 135
O	= 366.6

Static load C0 (kN)	= 22550
Weight (g)	= 80